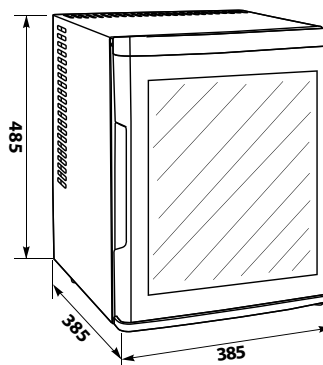


## TOP A+ 28 Lt GLASS

Minibar for hotels with high energy efficiency (ex class A +), built-in or free standing, with elegant glass door. Innovative thermoelectric cooling system, based on a solid state heat pump (Peltier cell). Completely noiseless (zero db) and ecological (absence of ammonia or other gases)

**Other features:**

- Built-in / free standing
- Electronic thermostat
- Electronic autodefrost
- Low consumption LED inside
- Reversible door
- Suitable for 1lt. and 1,5 lt. bottles
- Sliding hinge fixture
- R600a cooler
- CO<sub>2</sub>



Color	Black (PVC)
Installation type	Built-in or free standing
Energetic class	D (ex class A+)
Refrigerated volume	25 lt.
External dimensions (H x W x D)	485 x 385 x 385 mm
Net weight	13,1 Kg
Voltage	230 V
Frequency	50-60 Hz
Rated power	63 W
Daily consumption	0,164 kWh/24
Yearly consumption	60 kWh
n ° adjustable internal shelves	2
Pcs per box	Singolo
Packaged dimensions (H x W x D)	540 x 440 x 440 mm (excluded pallet)
Packaged weight excluded pallet	14,2 Kg
Packaged volume excluded pallet	0,10 mc
Measure master carton (H x W x D)	50 x 50 x 65 cm (included pallet)
Weight included pallet	17,2 Kg
Volume included pallet	0,16 mc
Pcs per pallet	18 pz.



Article	Description
TOP A+ 28 Lt GLASS	Minibar for Hotel built-in or free standing 28 lt. with glass door